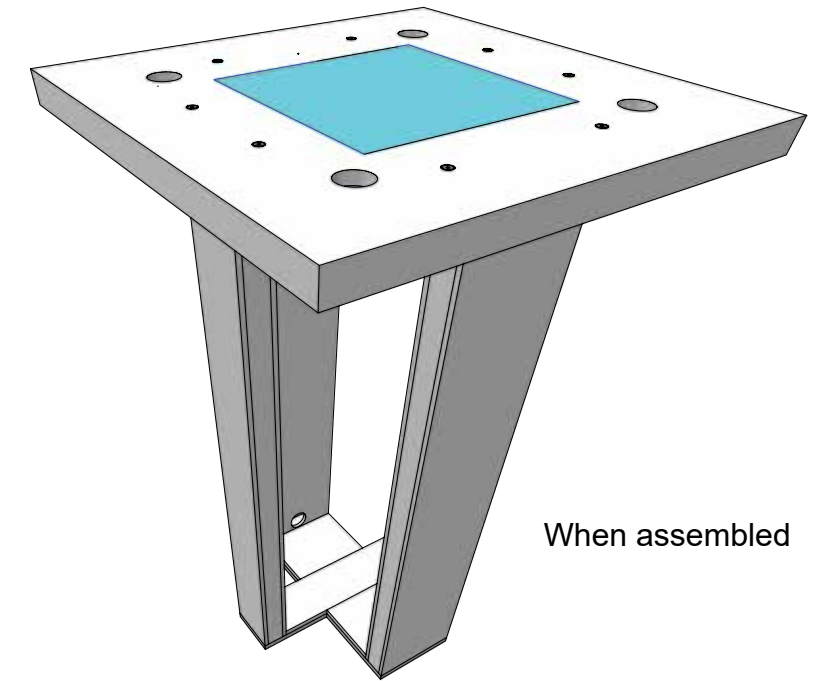
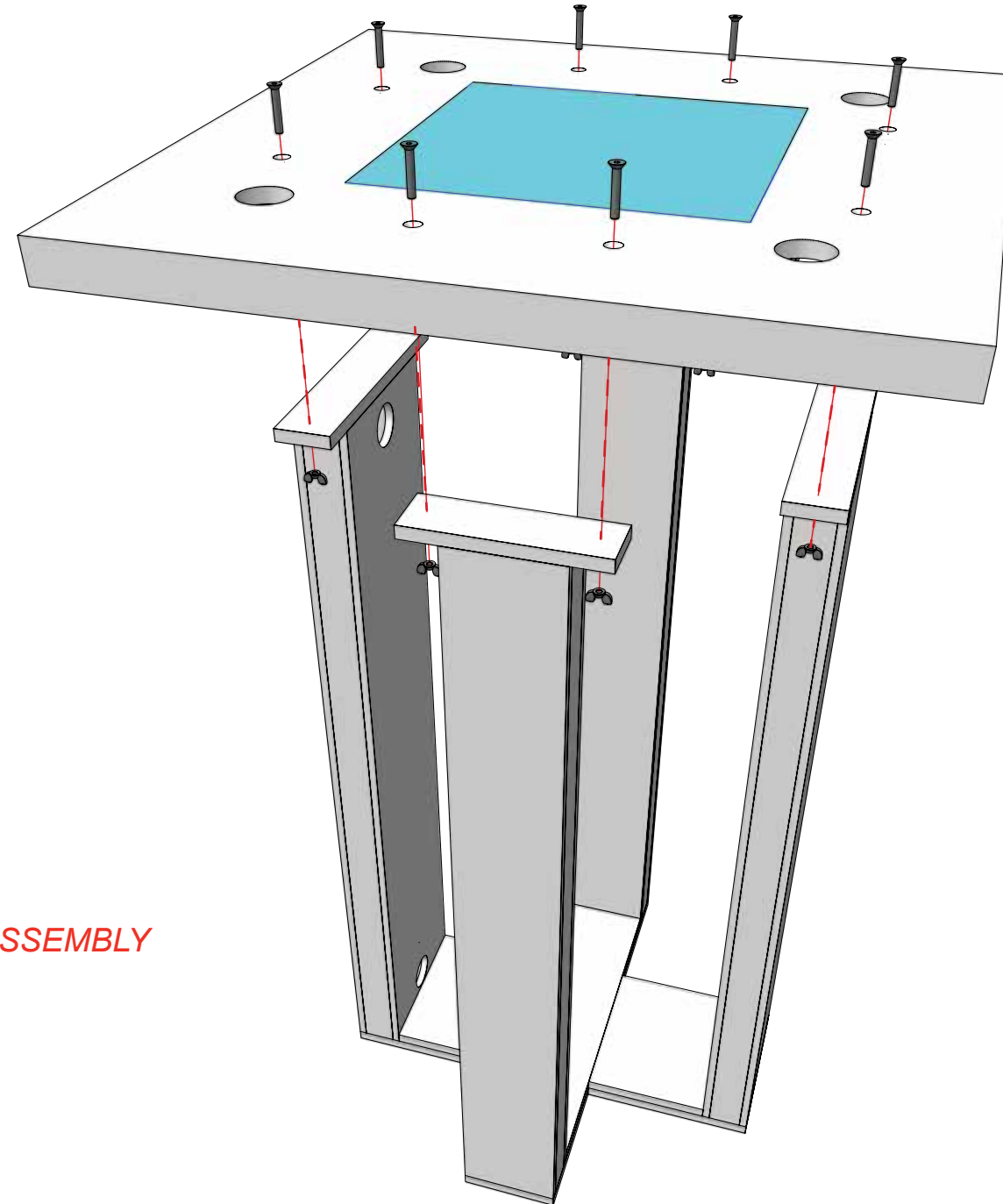


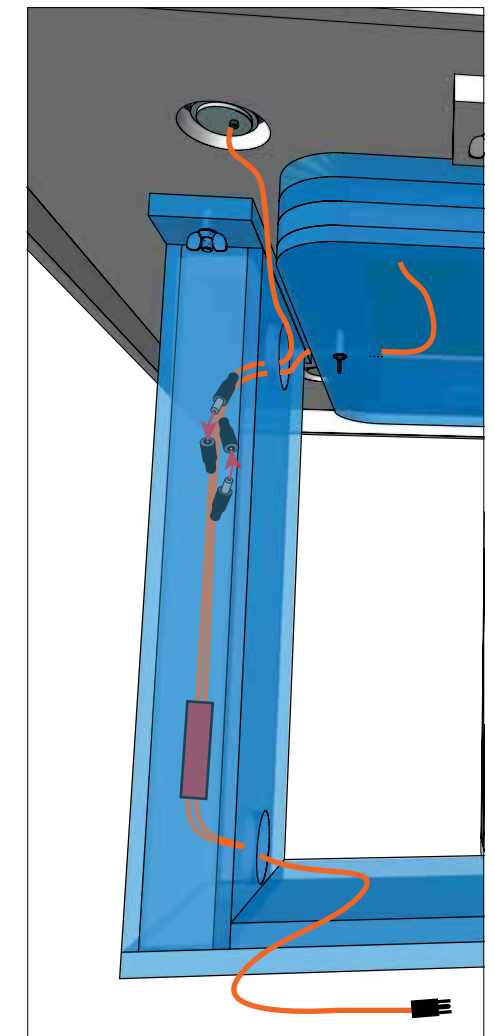
Item	Qty.	Description
--	1	28"w x 28"d x 48.5"h Counter Base w/ Wire Mgmt. Holes
--	1	36"w x 36"d Counter Top

- Steps:
- 1) Attach Counter Top to Counter Bases as shown.
  - 2) Connect power cords to wireless chargers in Counter Top.
  - 3) Attach power cords to charging pads and accent lights inside Counter Top.
- See [Wire Management](#) for power connection location.



When assembled

\* [Wire Management](#)



**IF SHIPPED AS SINGLE UNIT, RETAIN ASSEMBLY  
DO NOT DISASSEMBLE.**

**SETUP INSTRUCTIONS**

## General Setup Instructions

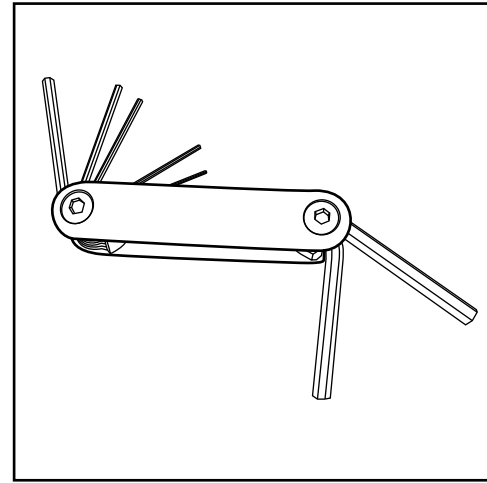
- Read entire setup instruction manual prior to unpacking parts and pieces.
- The setup instructions are created specifically for this configuration.
- Setup instructions are laid out sequentially in steps, including exploded views with detailed explanation for assembly.

## Cleaning & Packing

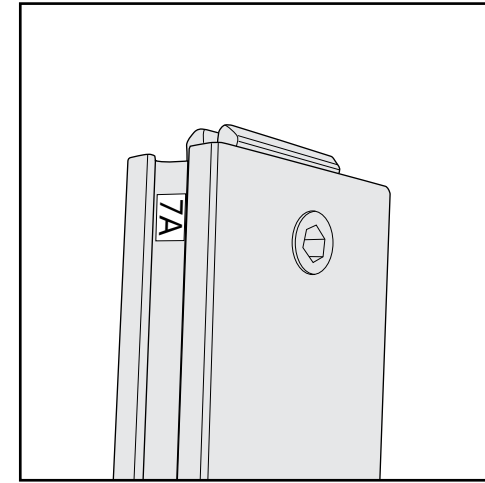
- For Cleaning Metal, Plex, & Laminate Parts: Use a **MILD NON-ABRASIVE** cleanser and soft cloth/paper towel to clean all surfaces.
- Keep exhibit components away from heat and prolonged sun exposure. **Heat and UV exposure will warp and fade components.**
- Retain all provided Packing Materials. All provided packing materials are for ease of repacking & component protection.

## Disassembly

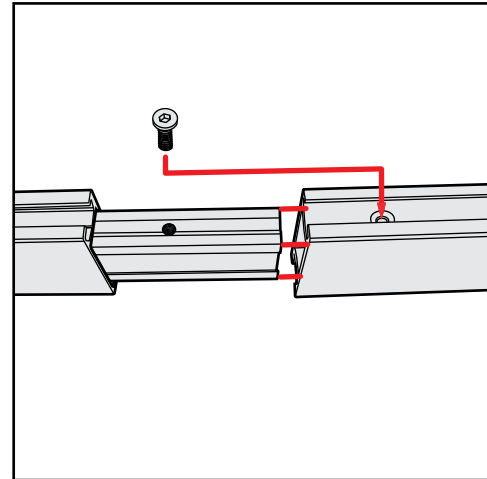
- For loss prevention, tighten all set screws and locks during disassembly.



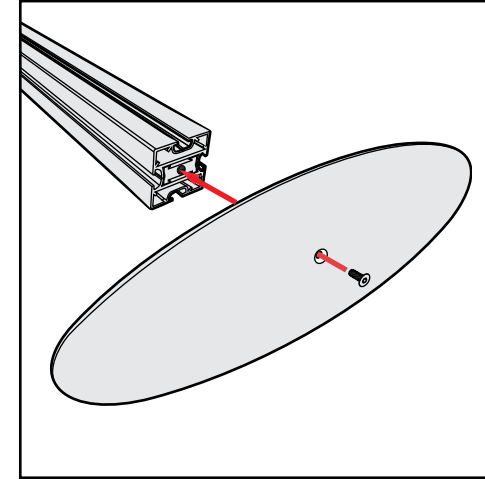
Hex Tool - Essential for Assembly



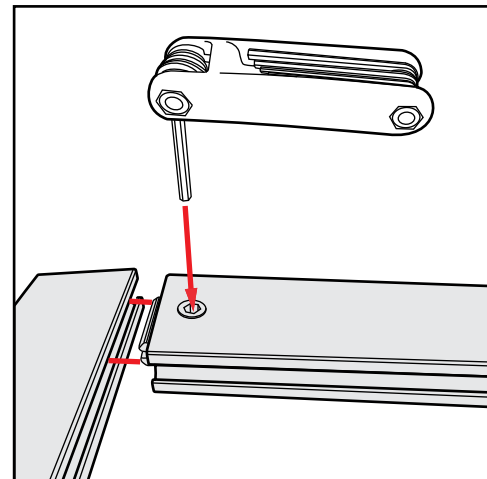
Part Identification - Numbering



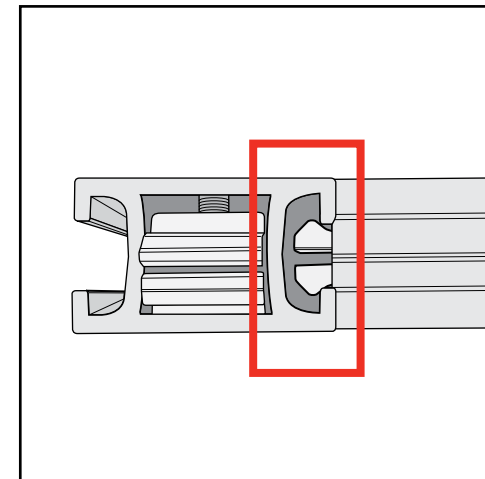
Spline Connection



Base Plate & Extrusion Connection



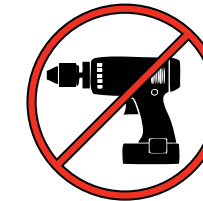
Extrusion & Lock Connection



Engaged Lock



**WARNING**



DO NOT USE POWER TOOLS



LADDERS OR LIFTS  
MAY BE REQUIRED



ALL CONNECTIONS MUST  
BE TIGHTLY SECURED

CRATE PACKING